



NEWS

ONLINE ACCESS TO THE OPERATORS' MANUAL AND SPARE PART CATALOGUES VIA THE WEBSHOP SPARE PARTS

SUBJECT: SPARE PARTS

AUTHOR: WINTERMEYER, AXEL

DATE: 13.03.2018

NO.: 18-160

The online WEBSHOP SPARE PARTS allows customers to easily and comfortably access their requirements. In view of this improvement we now only deliver a short guide with the important safety instructions in paper form when we deliver a new machine. The detailed Operator's Manual and Spare Parts Catalogue are contained and available in the WEBSHOP SPARE PARTS – shop.karlmayer.com

With the introduction of the WEBSHOP SPARE PARTS we have given the possibility to our partners and customers to use a 24/7 interactive Spare Parts Catalogue and Operator Manuals as pdf file for all their knitting machines built after 2006.

The interactive Spare Parts Catalogue allows quicker part identification. If the required spare part is found in the catalogue, the price and delivery time can be directly seen and an order placed. Should the part not be available, the process of requesting an offer can also be started. This whole process saves time and effort and also allows greater order accuracy.

The original Operators Manual for the customer's machine as well as the KAMCOS Operating Manual are available in PDF- Format for either viewing or downloading. In addition, electrical diagrams are also shown.

Availability of the Operator's Manual and Spare Parts Catalogue is quick and easy once you are registered to our WEBSHOP via the site shop.karlmayer.com.

Please login here!

Email

Password

Reset your password

Login

Registration

Welcome to our WEBSHOP SPARE PARTS. Create your Webshop account now.

Register

Registration

Ms.

First name*

Name*

Customer number*

Company name*

Last KARL MAYER order number*

Email*

Country*

Germany

* I have read and accepted [Privacy Policy](#).

*Required fields

Close Registration

NEWS

After log-in simply go to „**MY MACHINES**“. From there all your knitting and warping machines built from 2006 onwards are listed. Using the prescribed key combination the required documents are readily available. The **interactive Spare Parts Catalogue** can be entered via the „**OPEN SPARE PARTS CATALOGUE**“ button.




HOME CATALOG MY MACHINES PATTERN DISC /CHAIN ACCOUNT MANAGEMENT DOCUMENTS

This inventory shows all your machines as of construction year 2006. With the button "+ Add machine" missing machines as of 2006 can be added.

Please note: Machine information are based on the specifications as supplied by KARL MAYER.

+ Add machine



Machine number: TEST
 Machine type: HKS 3-M
 Month of construction / year of construction: 10/2014
 Width / Gauge: 210 / 28
 Voltage / Frequency: 230_400 / 50

Search for machine number...

Order pattern disc/chain

Open spare parts catalog

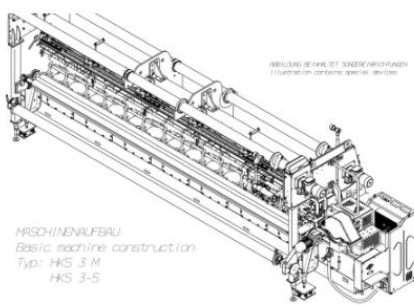
Machine documents

Here you can navigate through the chapters of components and graphics to find the part or parts required.

HOME CATALOG MY MACHINES PATTERN DISC /CHAIN ACCOUNT MANAGEMENT DOCUMENTS

HKS 3 M (31.10.2014)

- ▶ OIL SUPPLY AND KNITTING ELE
- ▶ MACHINE DRIVE (12002738 - A
- ▶ PATTERN DEVICE (10038236 -
- ▶ YARN DIRECTION AND TENSION
- ▶ WARP BEAM SUPPOPT (10027
- ▶ FABRIC TAKE UP AND BATCHIN
- ▶ NEEDLES, NEEDLE UNITS AND
- ▶ ACCESSORIES (10029312 - AD
- ▶ WARP BEAM DRIVE (10027464
- ▶ AUXILIARY MEANS AND ACCES




MASCHINENBAU
 Basic machine construction
 Typ: HKS 3 M
 HKS 3-5

Material goods number	Material goods version	Description
10027424	AB	YARN DIRECTION AND TENSIONING DEVICE
10027457	AF	WARP BEAM SUPPOPT
10027464	AF	WARP BEAM DRIVE




NEWS


Opening the „MACHINE DOCUMENTS“ screen you can see all the **Operator Manuals** and **Electrical Diagrams**.



Machine number: TEST
 Machine type: HKS 3-M
 Month of construction / year of construction: 10/2014
 Width / Gauge: 210 / 28
 Voltage / Frequency: 230_400 / 50

Order pattern disc/chain
 Open spare parts catalog

 [Machine documents](#)



Machine number: TEST
 Machine type: HKS 3-M
 Month of construction / year of construction: 10/2014
 Width / Gauge: 210 / 28
 Voltage / Frequency: 230_400 / 50

Order pattern disc/chain
 Open spare parts catalog

[hide](#)

FILE NAME	FILE EXTENSION	DOWNLOAD
Circuit Diagram Docu	pdf	Download
Circuit Diagram Docu	pdf	Download
Owners Manual	pdf	Download
Owners Manual	pdf	Download
Computer Manual	pdf	Download

We reserve the right, in certain circumstances and regions, to deliver the documents in their original form.

We eagerly await any queries or comments you may have in this regard.

Your contact:

Marion Högg

Senior Sales Manager Spare Parts

Phone: +49 (0)6104 402-1801

E-Mail: marion.hoegg@karlmayer.com